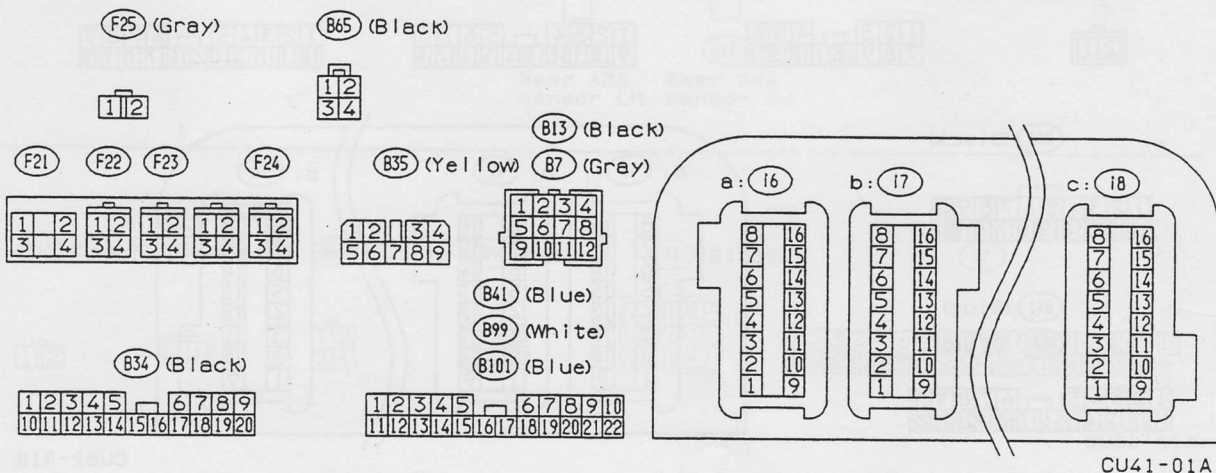
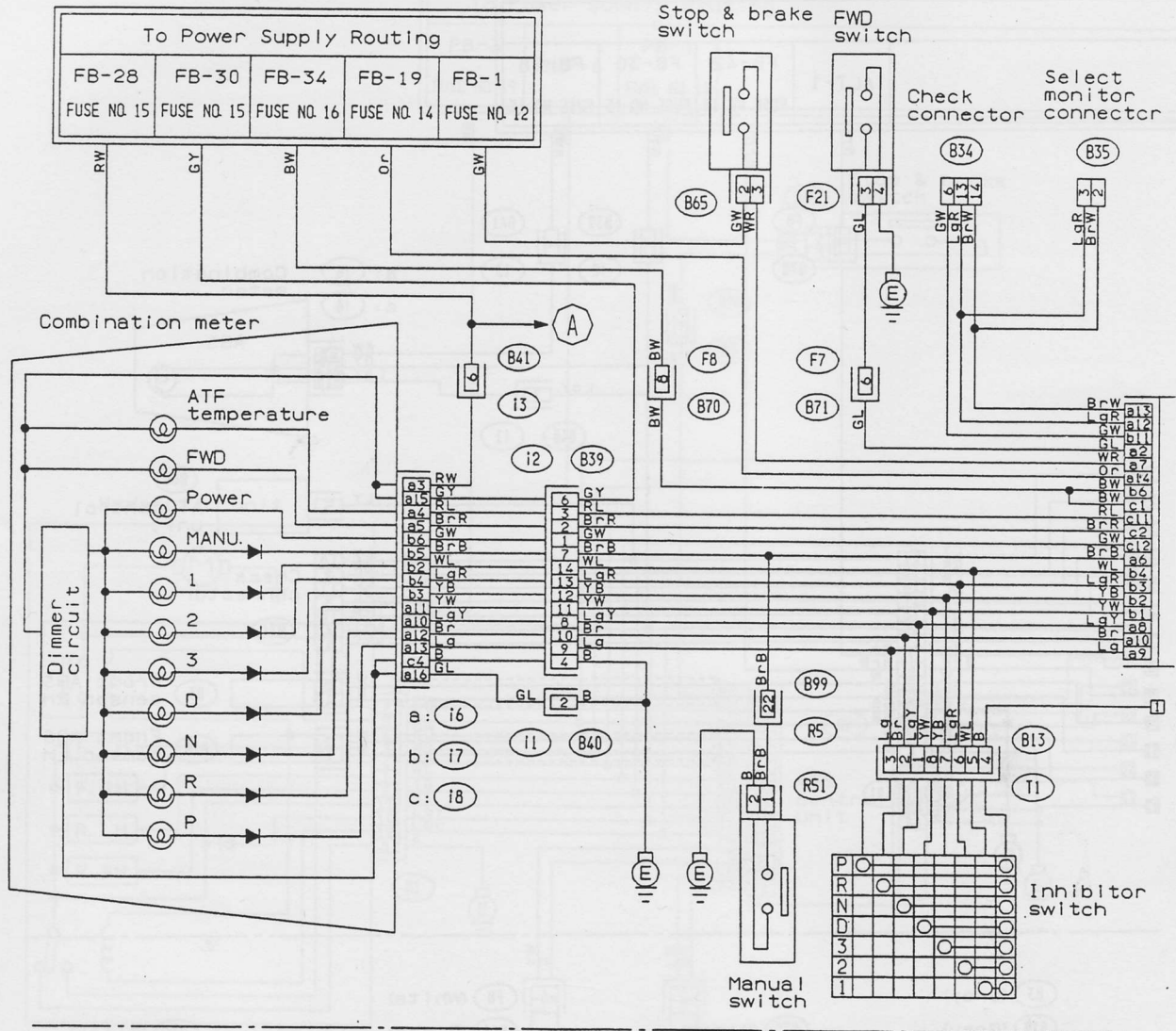
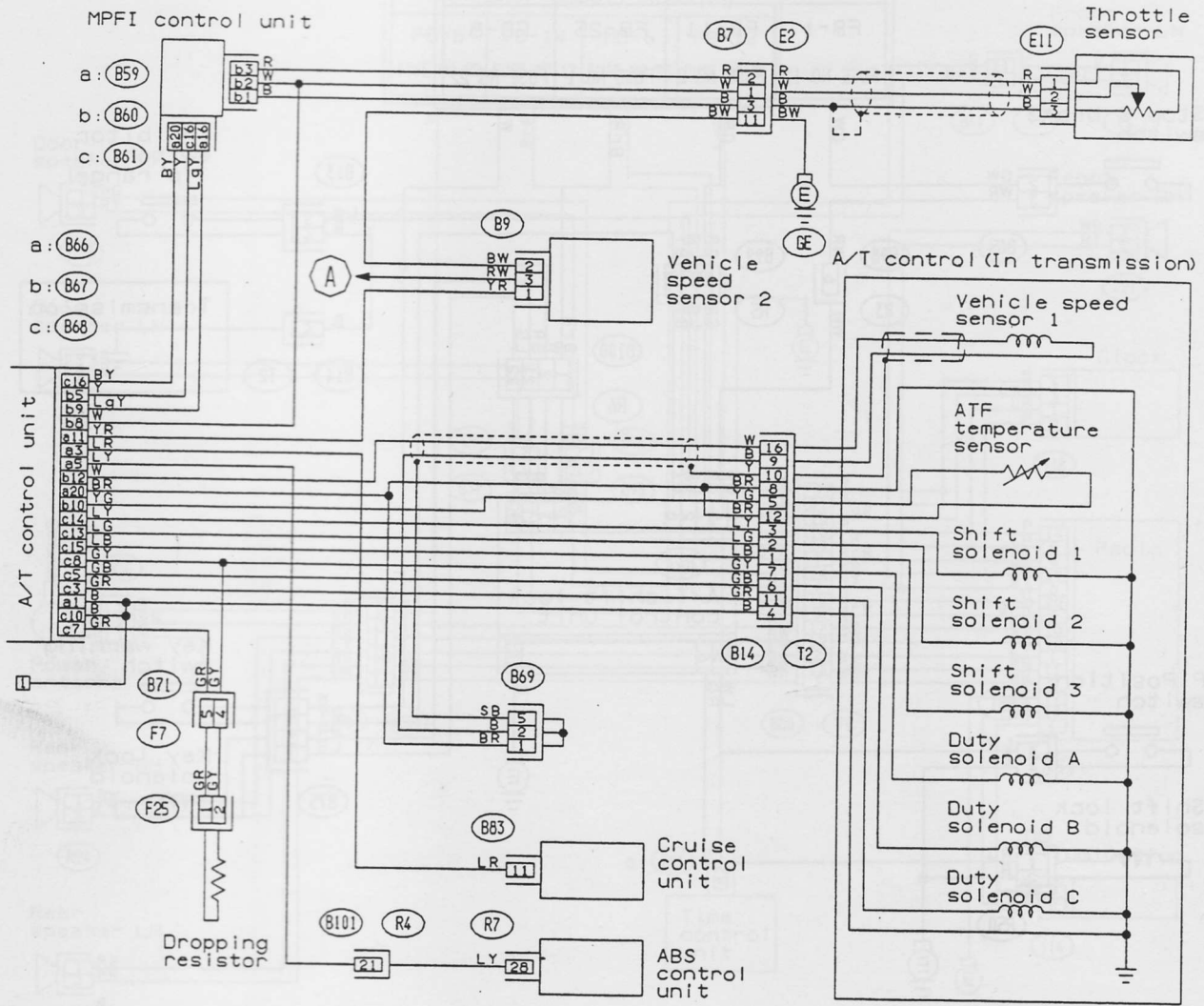


4. A/T CONTROL SYSTEM

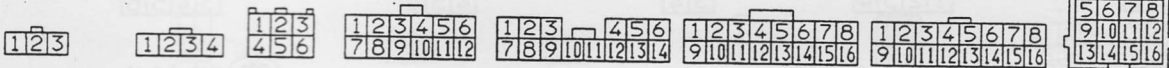


CU41-01A

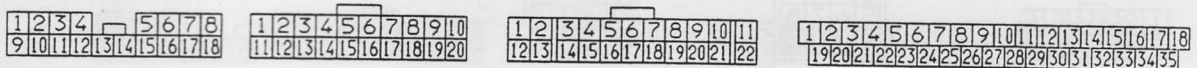
Fig. 24



- (E11) (Brown)
- (B9) (Black) (R51) (White) (B69) (White)
- (B60) (Yellow) (B39) (Black)
- (B67) (Black) (F7) (Black) (B68) (Black) (B61) (Yellow) (B14) (Black)



- (B40) (White) (F8) (White)
- (B83) (White) (B66) (Black)
- (B59) (Yellow)
- (R7)



B66 = 20 pin
 B67 = 12 pin
 B68 = 46 pin

CU41-01B