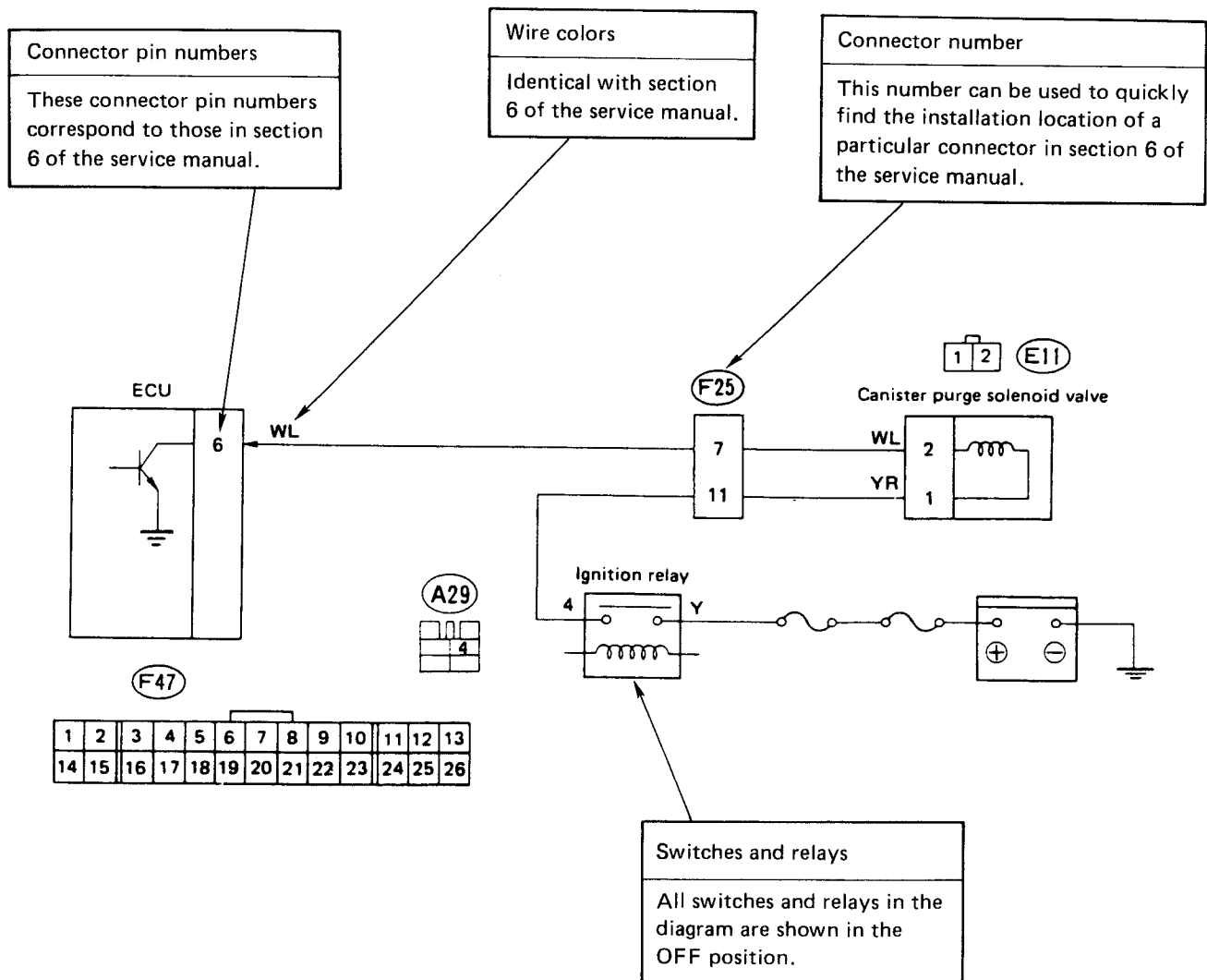


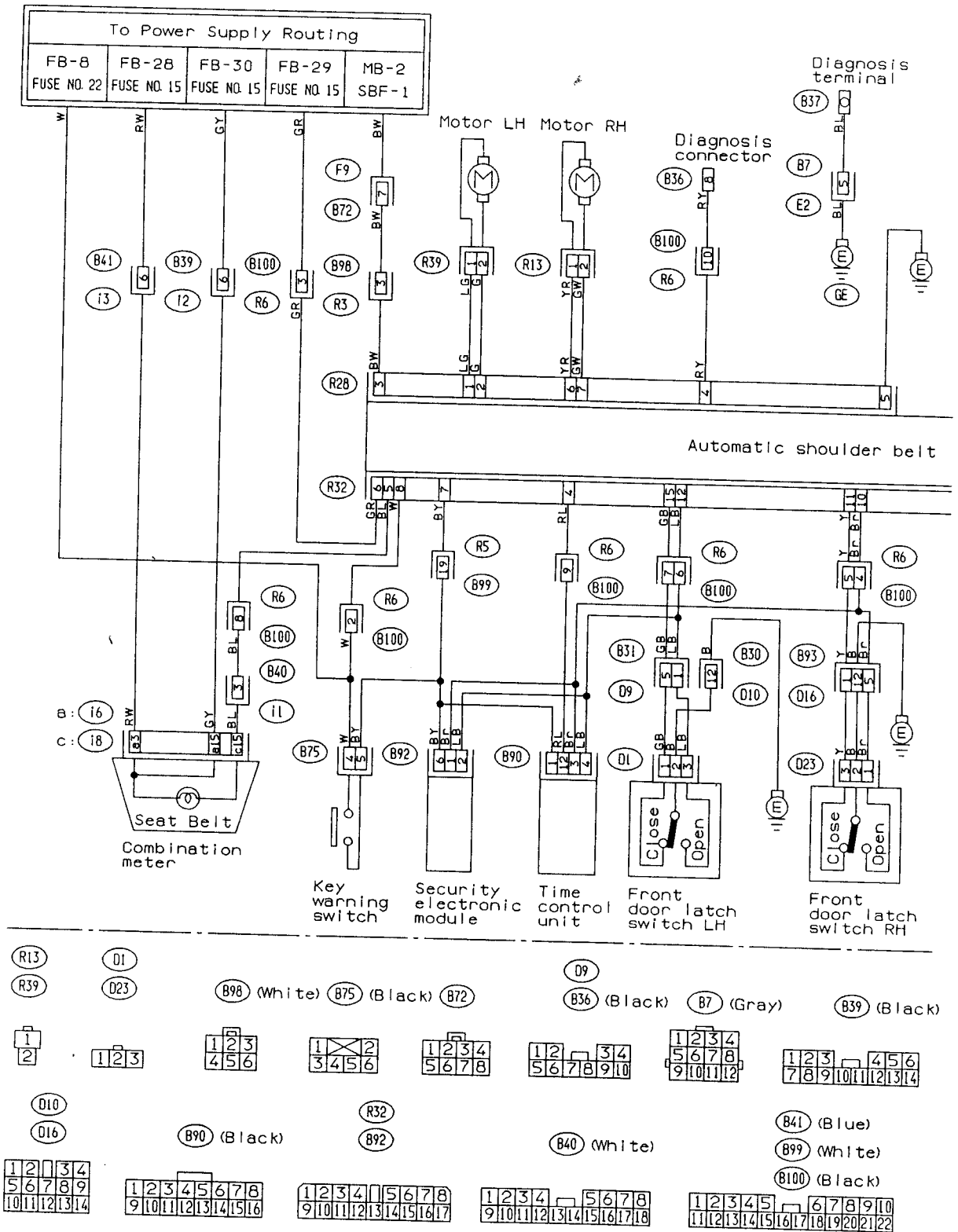
**<How to read circuit and connection diagrams>**

- Refer to section 6 of the service manual for detailed information about how to read circuit and connection diagrams.

Diagrams, which are required for troubleshooting of the electronic control system, have been selected from section 6 of the service manual. These diagrams have been somewhat simplified to make them easier to read for service personnel. Connector numbers, wire colors and other identifying marks are identical with those of section 6 in the service manual.

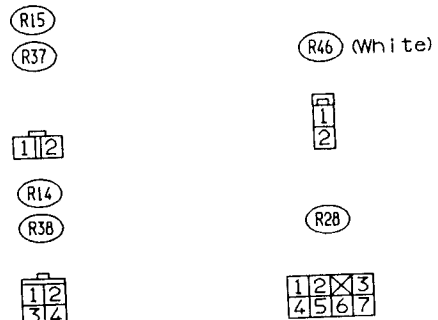
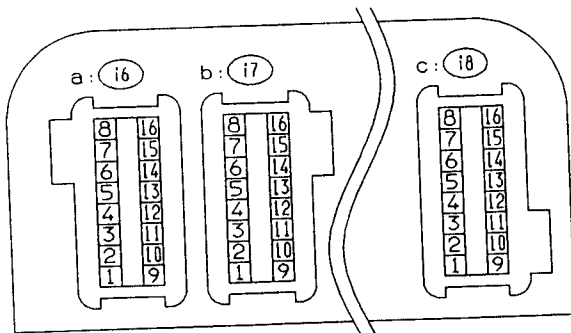
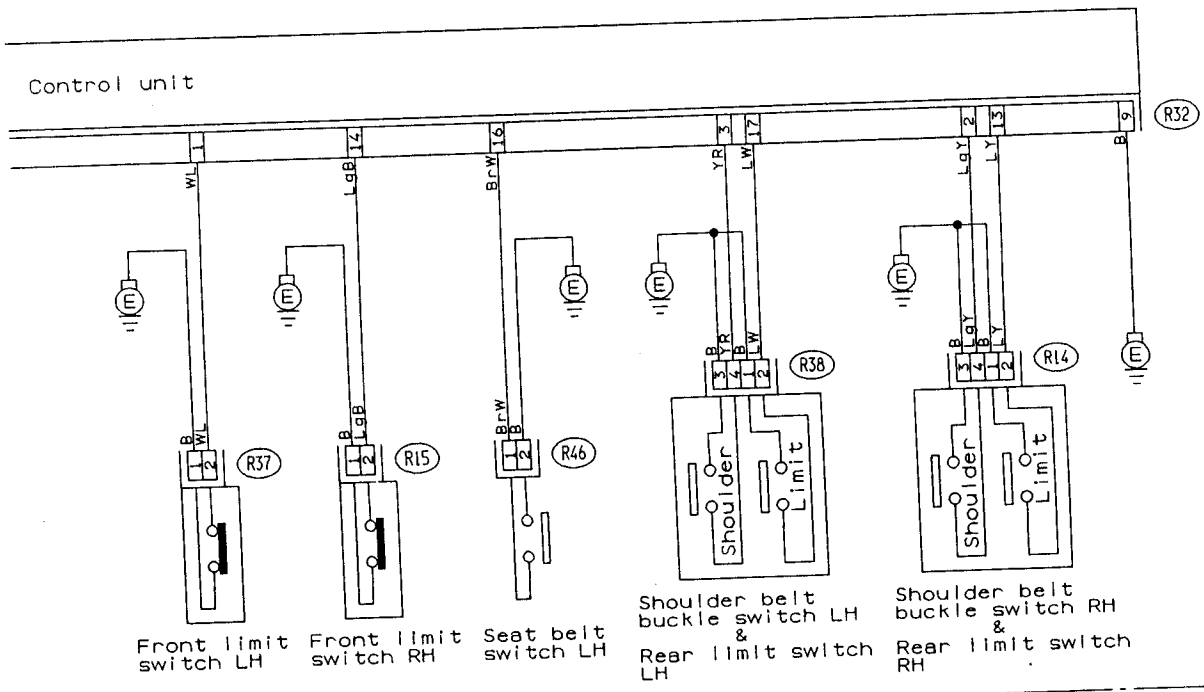


7. AUTOMATIC SHOULDER BELT & KEY WARNING CHIME SYSTEM



CU81-01A

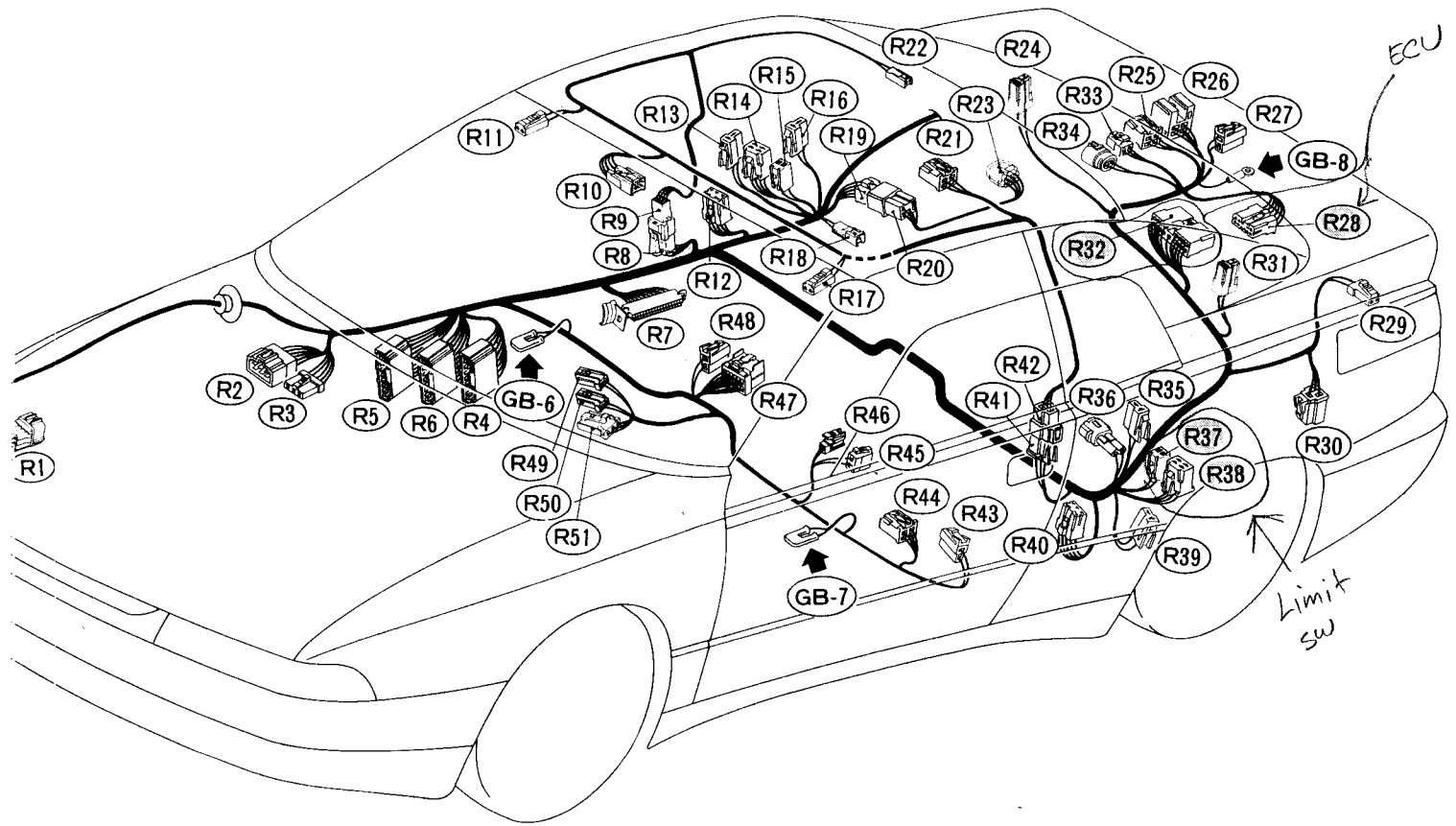
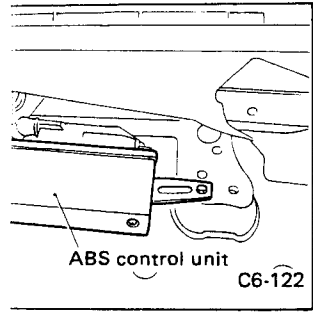
Fig. 27



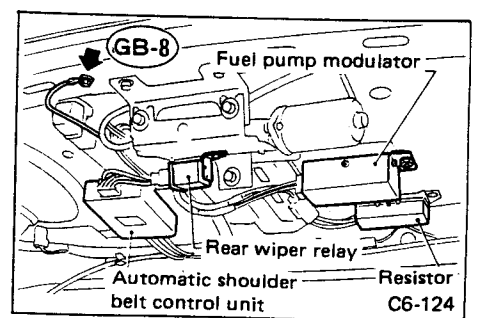
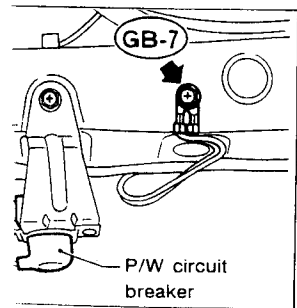
CU81-01B

ING HARNESS

1 2 3 4



A  
B  
C



D

Fig. 72-3

1 2 3 4

Connector				Connecting to	
No.	Pole	Color	Area	No.	Name
R1	12	Black	B1		Hydraulic unit
R2	6	Black	B2	B97	Bulkhead wiring harness
R3	6	White	B2	B98	
R4	22	Blue	B2	B101	
R5	22	White	B2	B99	
R6	22	Black	B2	B100	
R7	35		B2		
R8	6		B2	R9	Room light cord
R9	6		B2	R8	Rear wiring harness
R10	6		B2		Front room light switch
R11	2	White	B2		Vanity mirror illumination light RH
R12	5		B3		Rear power window sub-switch RH
R13	2		B3		Automatic shoulder belt motor RH
R14	4		B3		Automatic shoulder belt rear limit switch RH
R15	2		B3		Automatic shoulder belt front limit switch RH
R16	2	Green	B3		Rear power window motor RH
R17	2	White	B3		Vanity mirror illumination light LH
R18	2	Gray	B3		ABS rear sensor RH
R19	5	Black	B3	R20	Fuel cord
R20	5	Black	B3	R19	Rear wiring harness
R21	4		B3		Sunroof cord
R22	2		B3		Rear room light
R23	6		B3		Fuel pump & gauge unit
R24	2	Black	B3		Rear speaker RH
R25	4		B4		Rear wiper motor
R26	5	Black	B4		Rear wiper relay

Connector				Connecting to	
No.	Pole	Color	Area	No.	Name
R27	2		B4		Trunk room light
R28	7		B4		Automatic shoulder belt control unit
R29	2	Black	B4		Rear side marker LH
R30	3		B4		Power antenna
R31	2	Black	B4		Rear speaker LH
R32	17		B4		Automatic shoulder belt control unit
R33	4	White	B4		Fuel pump modulator
R34	2	Gray	B4		Resistor (Fuel pump control)
R35	2	Green	B4		Rear power window motor LH
R36	2	Gray	B4		ABS rear sensor LH
R37	2		C4		Automatic shoulder belt front limit switch
R38	4		C4		Automatic shoulder belt rear limit switch
R39	2		C4		Automatic shoulder belt motor LH
R40	5		C3		Rear power window sub-switch LH
R41	3		B3	R42	Sunroof cord
R42	3		B3	R41	Rear wiring harness
R43	2		C3		Power window circuit breaker
R44	4		C3		Power window relay
R45	2	White	C3		Power seat
R46	2	White	C3		Seat belt switch
R47	12	Black	B3		Shift lock control unit
R48	2		B3		Parking brake switch
R49	2	Green	B2		Select lever illumination light
R50	2	Black	B2		Shift lock solenoid
R51	4	White	B2		A/T manual switch & P position switch